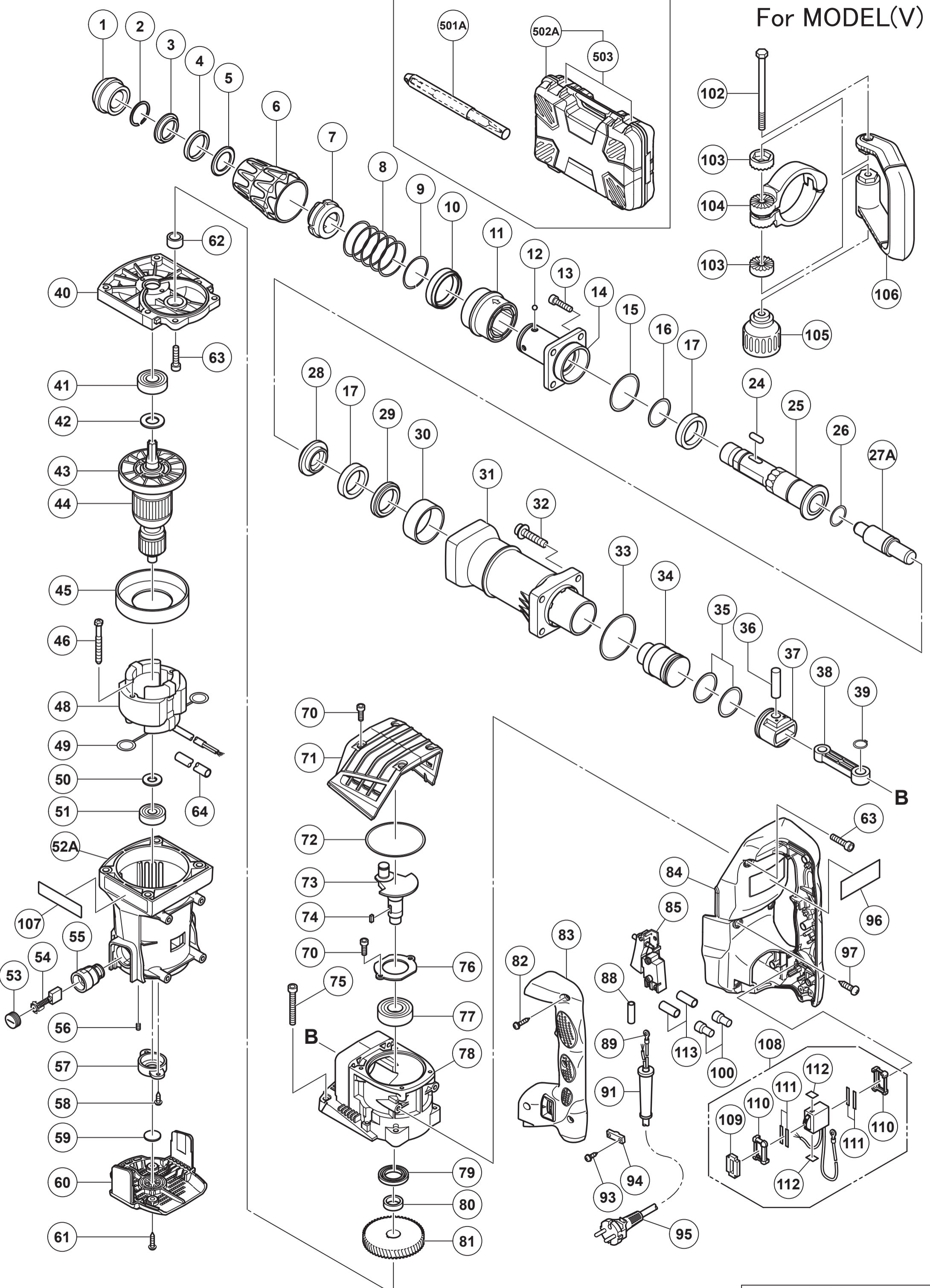
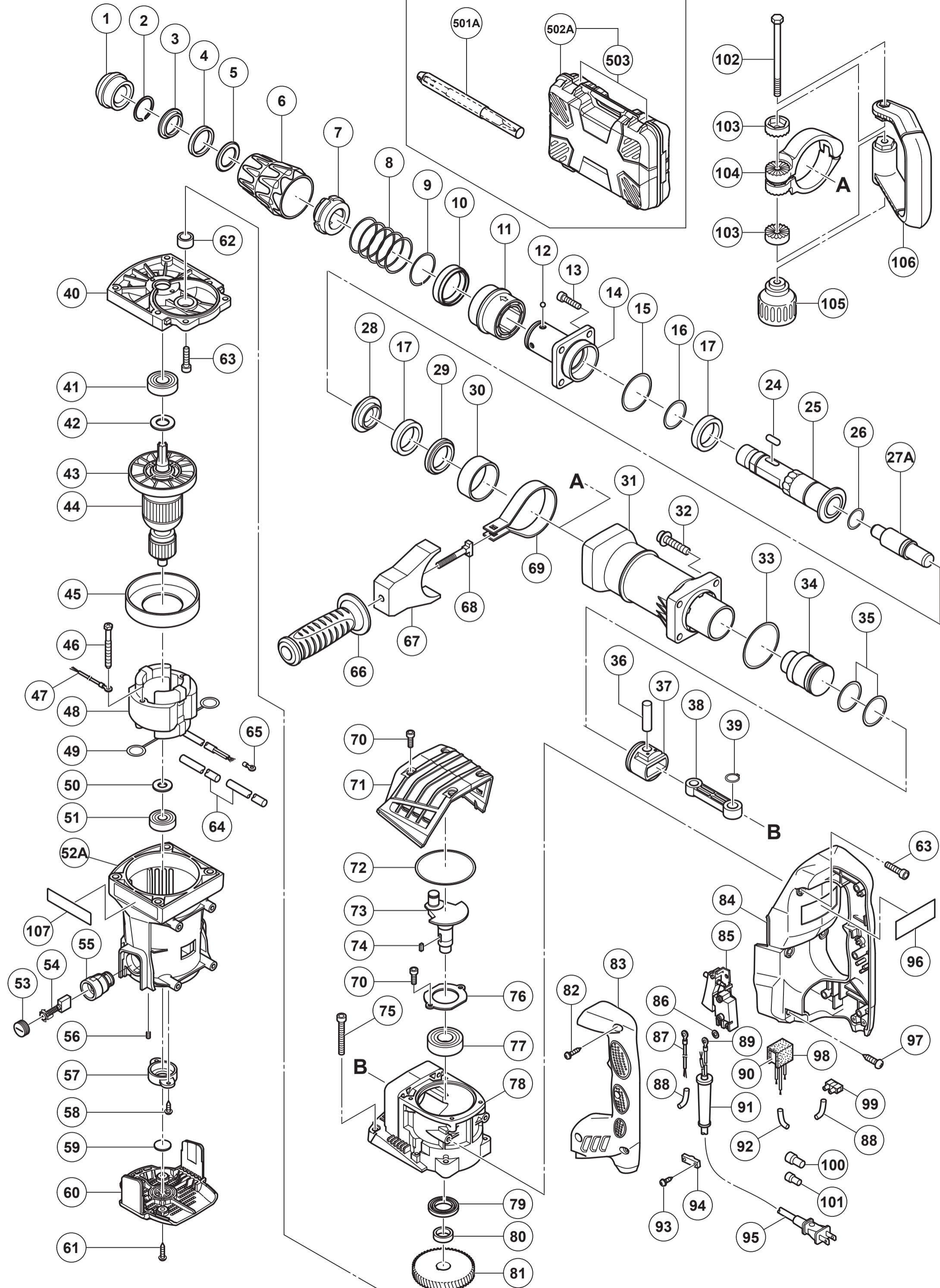


For MODEL(V)





HIKOKI

HAMMER H60MC

Item No.	Code No.	Description	No. Used	Remarks
1	333211	FRONT CAP	1	
2	320846	RETAINING RING D28	1	
3	333685	DAMPER HOLDER (A)	1	
4	330175	DAMPER (A)	1	
5	333686	DAMPER HOLDER (B)	1	
6	333192	GRIP (A)	1	
7	320804	NEEDLE HOLDER	1	
8	333221	SPRING (A)	1	
9	333255	STOPPER RING	1	
10	333687	BALL HOLDER	1	
11	333197	GRIP (B)	1	
12	959150	STEEL BALL D6.35 (10 PCS.)	4	
13	985479	SEAL LOCK HEX. SOCKET HD. BOLT M8X25	4	
14	333195	FRONT COVER	1	
15	317119	O-RING (S-56)	1	
16	872767	O-RING (S-32)	1	
17	333217	DAMPER	2	
24	331536	NEEDLE ROLLER D8X20	2	
25	333191	RETAINER SLEEVE	1	
26	872470	O-RING (S-26)	1	
27A	378376	SECOND HAMMER	1	
28	333216	HAMMER HOLDER	1	
29	333218	DAMPER WASHER	1	
30	333219	SLEEVE	1	
31	333209	CYLINDER CASE	1	
32	990083	HEX. SOCKET HD. BOLT (W/FLANGE) M8X35	4	
33	956996	O-RING (1AS-60)	1	
34	333205	STRIKER	1	
35	985454	O-RING (A) (FPM810)	2	
36	301509	PISTON PIN	1	
37	317084	PISTON	1	
38	317082	CONNECTING ROD	1	
39	939543	RETAINING RING FOR D14 SHAFT (10 PCS.)	1	
40	333229	GEAR COVER ASS'Y	1	INCLUD. 62
41	6203DD	BALL BEARING 6203DDCMPS2L	1	
42	333222	BEARING WASHER	1	
43	333196	FAN	1	
*44	360899E	ARMATURE ASS'Y 220V-230V	1	INCLUD. 43
45	333210	FAN GUIDE	1	
46	953121	HEX. HD. TAPPING SCREW D5X50	2	
*47	324122	INTERNAL WIRE 235L	1	FOR NZL, GBR, SAF, EUROPE, ESP, FIN, NOR, SWE, DEN, AUT, CHN, KOR
*48	340790E	STATOR ASS'Y (B) 220V-230V	1	INCLUD. 49 FOR NZL, GBR (230V), SAF, EUROPE, ESP, FIN, NOR, SWE, DEN, AUT, CHN, KOR
49	945932	BRUSH TERMINAL	2	
50	944954	BEARING WASHER	1	
51	6201DD	BALL BEARING 6201DDCMPS2L	1	
52A	333213	HOUSING ASS'Y	1	INCLUD. 55, 56
53	940540	BRUSH CAP	2	
54	999044	CARBON BRUSH (1 PAIR)	1	
54	999074	CARBON BRUSH (AUTO STOP TYPE) (1 PAIR)	1	
55	980487	BRUSH HOLDER	2	
56	938477	HEX. SOCKET SET SCREW M5X8	2	

* ALTERNATIVE PARTS

HIKOKI

HAMMER H60MC

Item No.	Code No.	Description	No. Used	Remarks
57	328918	BEARING HOLDER	1	
58	984750	TAPPING SCREW (W/FLANGE) D4X16	2	
59	333225	DUST SEAL	1	
60	333193	TAIL COVER	1	
61	302089	TAPPING SCREW (W/FLANGE) D5X20 (BLACK)	2	
62	985442	NEEDLE BEARING (A) (BK1512)	1	
63	987707	SEAL LOCK HEX. SOCKET HD. BOLT M6X25	4	
*64	326541	VINYL TUBE (I.D.9.5XT0.56X85)	2	
*66	330209	SIDE HANDLE	1	EXCEPT FOR ESP, IND, INA, MODEL (V)
*67	333198	MOUNT	1	EXCEPT FOR ESP, IND, INA, MODEL (V)
*68	333227	HANDLE BOLT	1	EXCEPT FOR ESP, IND, INA, MODEL (V)
*69	333226	BAND	1	EXCEPT FOR ESP, IND, INA, MODEL (V)
70	990079	SEAL LOCK HEX. SOCKET HD. BOLT M5X16	6	
71	333194	CRANK COVER	1	
72	326257	O-RING (I.D 74.5)	1	
73	333204	CRANK SHAFT	1	
74	940533	FEATHER KEY 3X3X10	1	
75	986491	SEAL LOCK HEX. SOCKET HD. BOLT M6X50	4	
76	333220	BEARING COVER	1	
77	6204DD	BALL BEARING 6204DD	1	
78	333186	CRANK CASE	1	
79	995403	OIL SEAL	1	
80	995402	DISTANCE RING (C)	1	
81	333207	FIRST GEAR	1	
82	305490	TAPPING SCREW (W/FLANGE) D4X30 (BLACK)	4	
*83	333189	HANDLE COVER	1	
*84	333187	HANDLE	1	
85	306143	SWITCH (B) (1P SCREW TYPE) W/LOCK	1	
*86	949423	WASHER M4 (10 PCS.)	1	FOR GBR, SAF, EUROPE, ESP, FIN, NOR, SWE, DEN, AUT, CHN, KOR
*87	981974	INTERNAL WIRE	1	EXCEPT FOR VEN, BRA (127V), PAN (120V), GBR (110V), MEX, MODEL (V)
*88		VINYL TUBE (I.D.7XT0.5X30)	2	
*89	980063	TERMINAL	1	EXCEPT FOR VEN, THA, GBR (110V), PAN (120V)
*91	953327	CORD ARMOR D8.8	1	
*92		TUBE (A) I.D.7XT0.25X70	1	
				FOR NZL, GBR, SAF, EUROPE, ESP, FIN, NOR, SWE, DEN, AUT, CHN, KOR
93	984750	TAPPING SCREW (W/FLANGE) D4X16	2	
94	960266	CORD CLIP	1	
*95	500390Z	CORD	1	(CORD ARMOR D8.8)
96		NAME PLATE	1	
97	333364	TAPPING SCREW D6X30	4	
*98	317492	SUPPORT (B)	1	FOR NZL, GBR, SAF, EUROPE, ESP, FIN, NOR, SWE, DEN, AUT, CHN, KOR
*99	938307	PILLAR TERMINAL	1	EXCEPT FOR VEN, THA, INA, SIN, KUW, IND, HKG, BRA (220V), PAN (220V), MODEL (V)
*100	959141	CONNECTOR 50092 (10 PCS.)	1	FOR NZL, GBR, SAF, EUROPE, ESP, FIN, NOR, SWE, DEN, AUT, CHN, KOR
*101	959140	CONNECTOR 50091 (10 PCS.)	1	FOR NZL, GBR, SAF, EUROPE, ESP, FIN, NOR, SWE, DEN, AUT, CHN, KOR
107		BRAND LABEL	2	
		STANDARD ACCESSORIES		

* ALTERNATIVE PARTS

